

## TS-D1000-DF Q

### DELEGATE UNIT



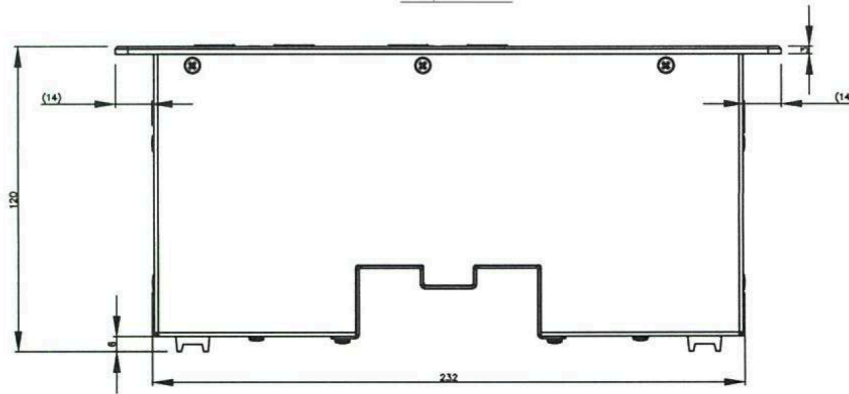
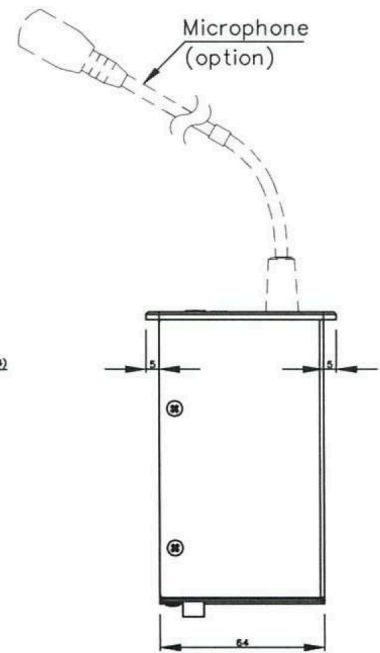
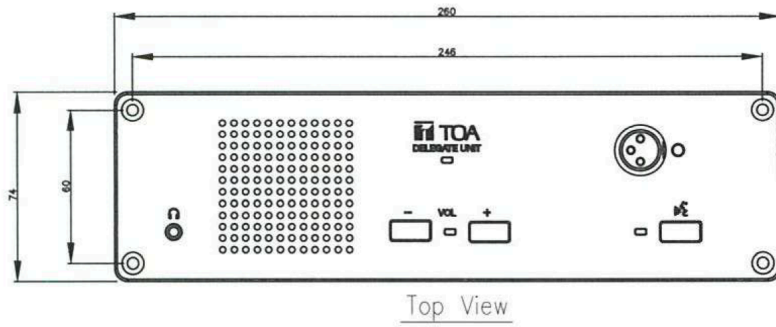
The Digital conference system's dedicated TS-D1000-DF Delegate unit can be used by simply connecting it to the TS-D1000-MU or TS-D1100-MU Master control unit using CAT5e STP LAN cables. It can also be optionally equipped with either the TS-D1000-M1 Standard microphone or the TS-D1000-M2 long microphone or the TS-D1000-M1S Short microphone. It's the Flush-mount device, ideal for use in permanent installations, creating individual participant positions.

### Key features

## Specifications

Power Source	24 V DC (supplied from the TS-D1000-MU Master Control Unit (option), TS-D1100-MU Master Control Unit (option), TS-D1000-SU Sub Control Unit (option), or TS-D1000-EX Extension Unit (option))
Power Consumption	1.5 W or less
Signal to Noise Ratio	65 dB or more (A-weighted)
Input	Microphone terminal: XLR-3-31 type, hidden latch lock for removable microphone
Output	Monitor speaker: 8Ω, 0.4 W Earphone: Ø3.5 mm mini jack (3P:monaural)
Speaker Output	75 dB SPL
Connection Terminal	RJ45 connector x2
LED Indicator	Power indicator, Speech indicator, Volume key indicator
Function	Speech function, Earphone volume control
Operating Temperature	0 °C to +40 °C (32 °F to 104 °F)
Operating Humidity	90 %RH or less (no condensation)
Finish	Front Panel: Aluminum, Hairline, Anodizing (color: Black) Case: Steel plate
Dimensions	260 (W) x 120 (H) x 74 (D) mm
Weight	1.04 kg
Included Accessories	Wood screw (M4) x 4, Cable tie x 2
Optional Accessories	Standard microphone: TS-D1000-M1 Long microphone : TS-D1000-M2 Short microphone: TS-D1000-M1S

## Dimensions



UNIT: mm