

SC-P620-AS

POWERED HORN SPEAKER



The SC-P620 is a highly intelligible and compact horn speaker with a built-in 20W digital power amplifier, that provides public address announcement and remote paging via network video surveillance applications. This powered horn speaker can operate at extreme temperature. It comes with powder-coated finish and stainless steel screws to ensure its weatherproof capability. Ideal choice for both indoor and outdoor application at restricted facilities, train stations, airports, prisons and many more.

Key features

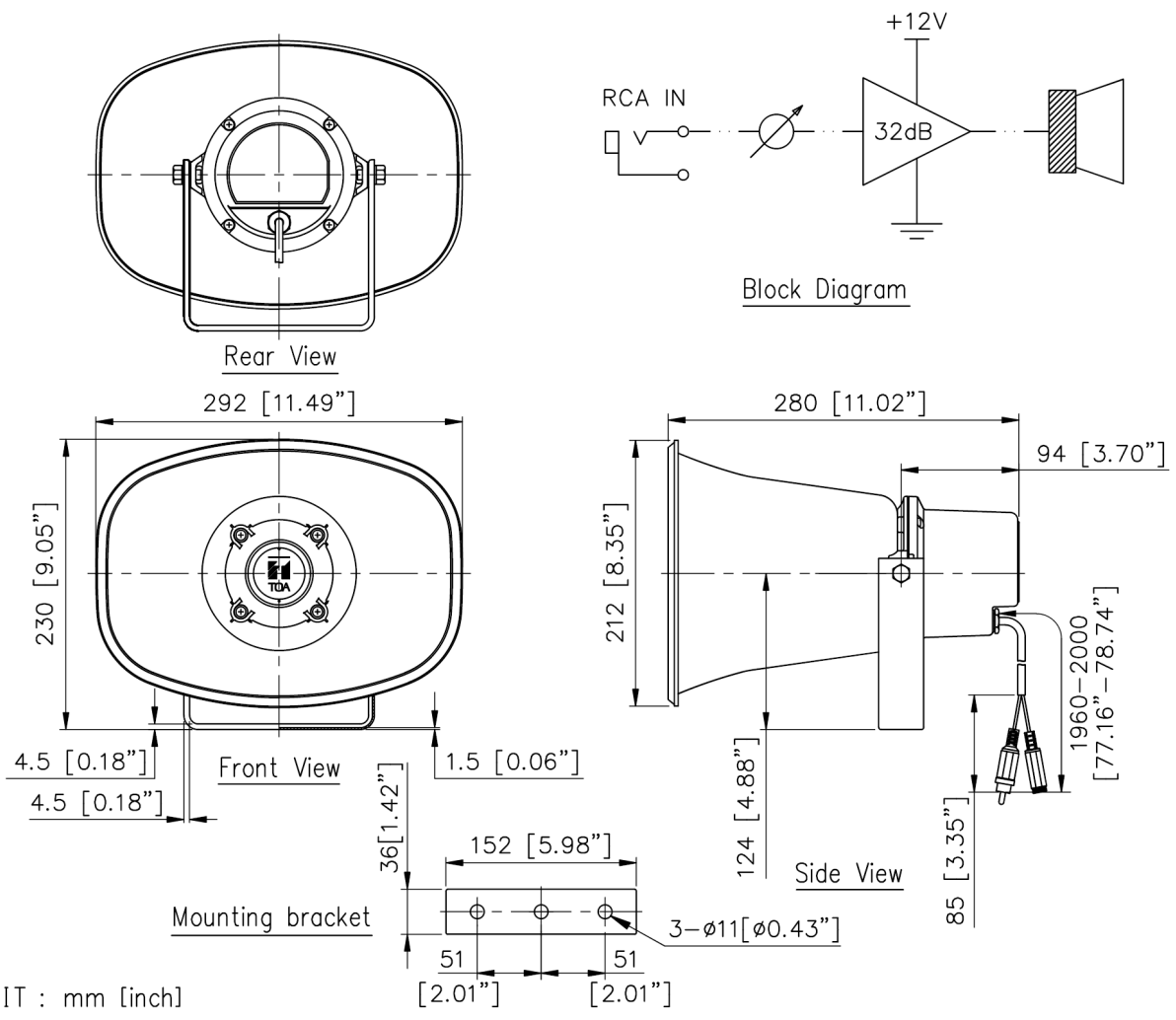
- Integrated 20W power amplifier which utilises latest Class D technology
- Switchable Gain: 8dB, 16dB, 24dB & 32dB
- Internal volume control to allow on-site tuning
- Integration to CCTV systems possible with the majority of IP CCTV systems equipped with an audio line output
- Weatherproof to IP65 rating

Specifications

*0 dB = 1 V

Power Source	12V DC, 2A (DC Socket "+" Type A: 5.5 x 2.1mm)
Power Consumption	15W (1.25A) at Rated output 25W (2.10A) at Maximum output
Input	0 dB*, 10k Ω , Unbalanced (RCA plug)
Signal Gain	8, 16, 24, 32dB (Factory pre-set to 16dB)
Volume Adjustment	Internal volume control (Factory pre-set to max. position)
Sound Pressure Level	113 dB (1 W, 1 m at 500 Hz to 2.5 kHz peak level) Max. SPL (above 120dB)
Frequency Response	250 Hz - 10,000 Hz
Speaker Cable	Length: 2m Flying Lead (RCA plug) & DC socket ("+")
Dust/Water Protection	IP65
Operating Temperature	-20 # to +55 # (must be free from dew condensation)
Finish	Horn Flare: HIPS resin, White (RAL 9010 equivalent) Reflector Horn and Case: ABS resin, White (RAL 9010 equivalent) Bracket, screws and bolts: Stainless steel
Dimensions	292 (W) x 230 (H) x 280 (D) mm
Weight	Approx. 1.8 kg
Optional Accessories	AD-5000-2 (LTE24E-S2-1) AC Adapter

Dimensions



A&E specifications

The Powered Horn Speaker shall come with a 20W build-in digital amplifier. It provides intelligible voice paging and tone signaling for indoor and outdoor sound system applications. There are 4 presets gain setting of 8dB, 16dB, 24dB and 32dB. Factory preset gain at 16dB and internal volume control at maximum. The loud-speaker diaphragm is heat and moisture-resistant to prevent deformation and extend operation. Fully weather-resistant for reliable operation in demanding environmental conditions. The speaker are easy to install in wall, pole or ceiling-mount applications and include corrosion-resistant stainless-steel mounting bracket. The unit horn flare shall be HIPS resin, reflector horn & case shall be ABS resin and bracket is stainless steel. The horn unit shall have a frequency response of 250 – 10,000Hz and Maximum SPL at 120dB. The speaker shall have IEC weather resistance rating of IP-65 standards with a wide operating temperature range from -20° C to +55° C. The horn unit shall be 292mm (W) x 230 (H) x 280mm (D) and weight 1.8Kg The Powered Horn Speaker shall be TOA model SC-P620 Option Power Adapter AD-5000-2