

## SC-610

### PAGING HORN SPEAKER



The SC-610 is a compact, highly intelligible speaker suited to public address announcement applications. Its external speaker component finished with powder coating, and stainless steel bracket and screws ensure the unit's weatherproof capability.

### Key features

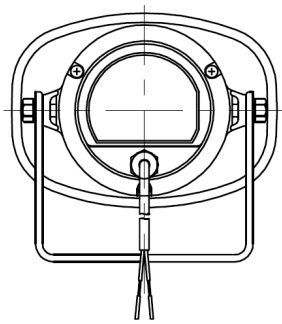
- Very rugged speaker with durable construction ensures long term reliable operation
- High quality sound
- Very high SPL
- Easy impedance selection through switch
- Low impedance 8  $\Omega$
- Shock resistant oval horn

## Specifications

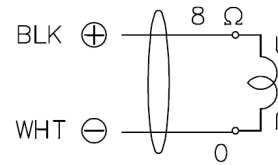
|                       |   |
|-----------------------|---|
| Rated Input           | 10 W (Mobile Mount use: 5 W)  |
| Rated Impedance       | 8 $\Omega$  |
| Sound Pressure Level  | 110 dB (1 W, 1 m at 500 Hz to 2.5 kHz peak level)   |
| Frequency Response    | 315 Hz - 12.5 kHz   |
| Polarity              | Hot: Black, Com: White  |
| Dust/Water Protection | IP65  |
| Operating Temperature | -20 °C to +55 °C (-4 °F to 131 °F) (must be free from dew condensation)   |
| Finish                | Horn flare: Aluminum, off-white, powder coating<br>Reflector horn and rear cover: ABS resin, off-white<br>Bracket, screws and bolts: Stainless steel<br>Speaker cable: Polyvinyl chloride insulated cabtyre cable<br>(6 mm in diameter, 600 mm in length) |
| Dimensions            | 172 (W) x 161 (H) x 188 (D) mm  |
| Weight                | 1 kg  |
| Optional Accessories  | Swivel bracket: YS-151S (Can be used instead of the supplied bracket.)  |

Note: Avoid installing the speaker in locations which vibrate considerably, or under environments easy to be oil-contaminated.

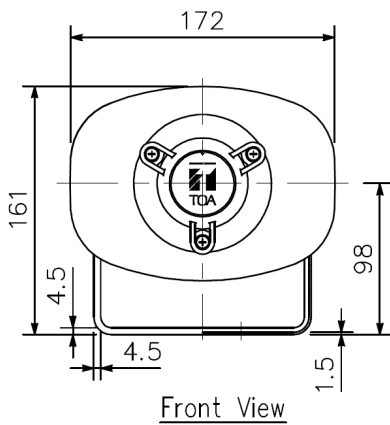
## Dimensions



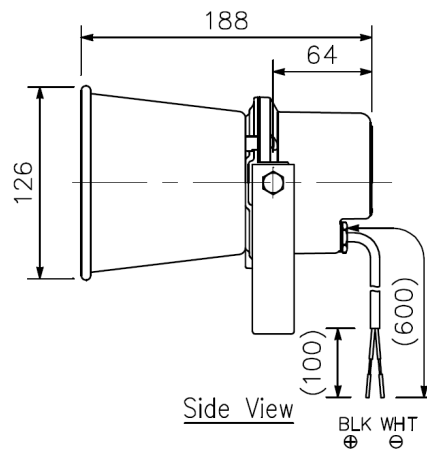
Rear View



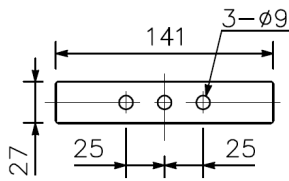
Wiring diagram



Front View



Side View



Bracket dimensional diagram

UNIT:mm

Note: Numerical values in parentheses are for reference only.

## A&E specifications

Weather-resistant pressure chamber loudspeaker compliant with IP65, oval horn made of powder-coated aluminum, driver cover made of ABS plastic, swivelling bracket made of stainless steel for precise alignment of the speaker

Rated power: 10 W Impedance: 8 ohm Degree of protection: IP65 Frequency response: 315 – 12,500 Hz Sound pressure (1W/1m): 107 dB (peak 110dB) Dimensions (W x H x D): 172 x 161 x 188 mm Operating temperature range: -20°C - +55°C

Color: white (RAL 9010)

Manufacturer: TOA Model: SC-610