

EC-380-AS

CHIME MICROPHONE



The EC-380 is an uniquely shaped and high-quality condenser microphone equipped with a electrical chime and designed for paging applications. With its' adjustable chime volume, flexible power option of battery or DC, EC-380 is definitely the choice when selecting the a hassle-free plug and play chime microphone.

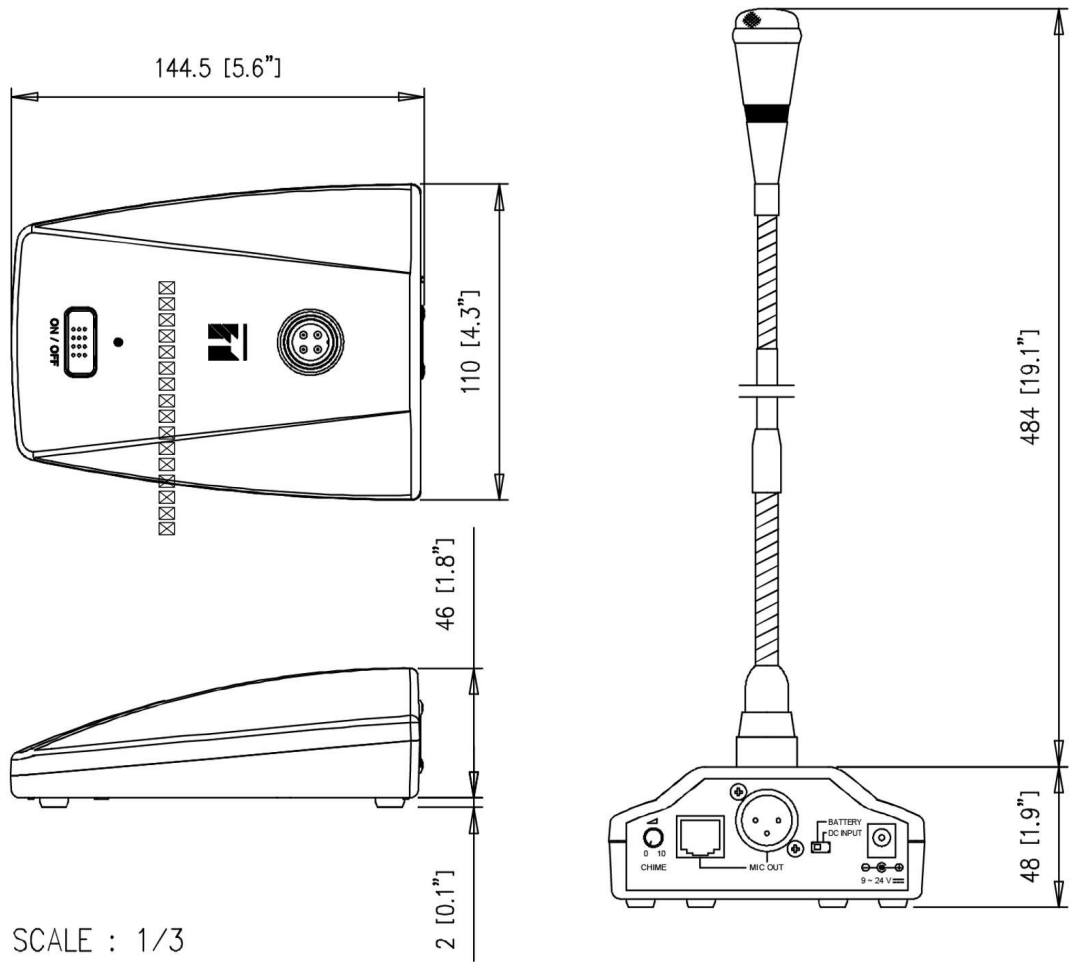
Key features

- Cardioid pattern condenser microphone with chime designed for paging application
- Two adjustment points allow more flexibility in positioning angles
- Option of operating with battery or DC power

Specifications

Element	Condenser
Power Source	6V DC (4 x "AA" batteries) or DC adapter: 9 - 24V
Current Consumption	13mA during chime and 6 mA microphone operation
Polar Pattern	Cardioid
Impedance	600 Ω , balanced
Frequency Response	50 Hz - 18 kHz
Chime Tone	4-tone chime (up/ down)
Output	Microphone: -41 dB \pm 3 dB (1 kHz ,0dB = 1V/Pa) Chime Tones: -31 dB \pm 3 dB (max. position)
Compatible Connector	XLR-3-32 Equivalent RJ45: Audio Output, Power supply and contact output
Operating Temperature	0 °C - 40 °C
Finish	Stand Mic: ABS resin, Black, Paint MIC shaft: Copper alloy, Black, Paint
Dimensions	110 (W) x 145 (L) x 532 (H) mm
Weight	558g (excludes batteries)
Included Accessories	Windscreen x1, XLR Cable Stereo Phone Plug (7.5m) x1
Optional Accessories	AD-246 AC adapter

Dimensions



A&E specifications

The Chime microphone shall have a unique shape with high qualities condenser unidirectional cardioid microphone element. Frequency response shall be 50 Hz to 18 kHz. Rated impedance shall be 600Ω , balanced, and rated sensitivity shall be -41 dB ± 3 dB (1 kHz 0 dB=1 V/Pa). There are two adjustment points shall provide more flexible microphone positioning angles. A windscreen and 7.5 metre microphone cable with stereo phone jack shall be provided as an accessory. The microphone shall be come with 4 tones pre and post announcement, with adjustable chime well-suited for paging applications. The chime microphone shall come with a firm base stand. The microphone output shall have a balanced XLR-3-32, RJ45 and chime volume and a selector switch. The power source, contact and signal shared in RJ45 connector via cat 5/6 cable. It allows to choose power source from optional AC power adapter which supplied 9V – 24VDC or 4 x “AA” alkaline batteries. Operating temperature shall be 0° C to $+40^{\circ}$ C (32° F to 104° F). Stand is ABS resin black and shaft finish shall be copper alloy, with black paint. Dimensions shall be 110mm x 145mm x 532 mm, and weight shall be 558 g (without battery).

The Chime Microphone shall be TOA model EC-380-AS.